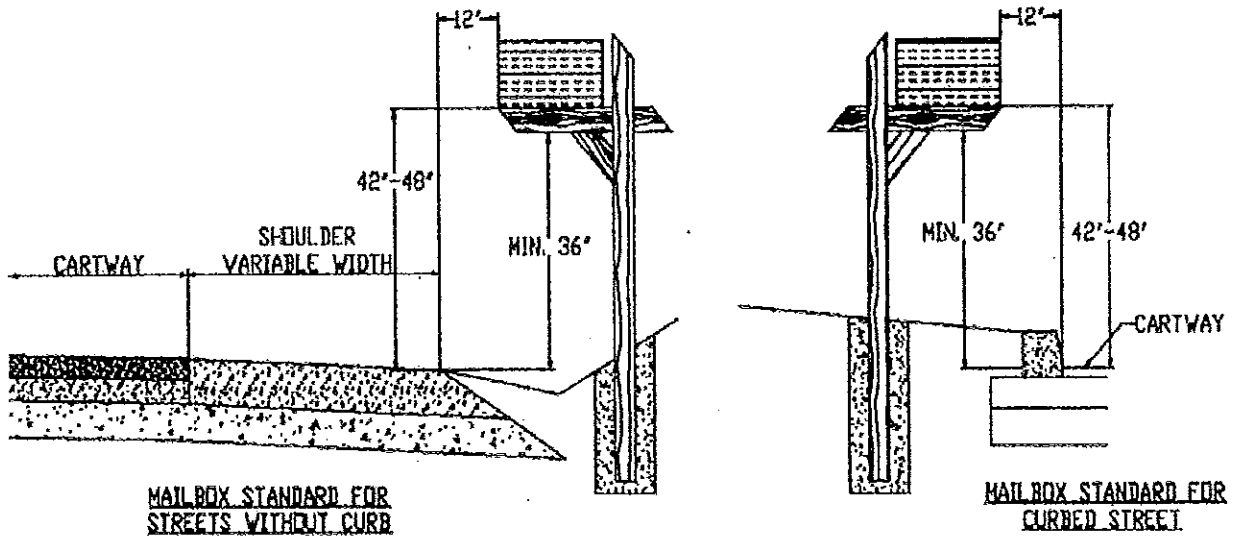


Board of Supervisors Roaring Brook Township

430 BLUE SHUTTERS ROAD, ROARING BROOK TWP, PA 18444 PHONE (570) 842-6080 FAX (570) 842-7680

Mailbox Placement Guidelines



NOTE: Maintain minimum 36 inches clear zone below mailbox, measured from road surface.